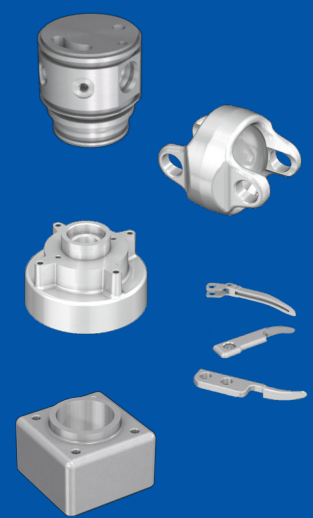
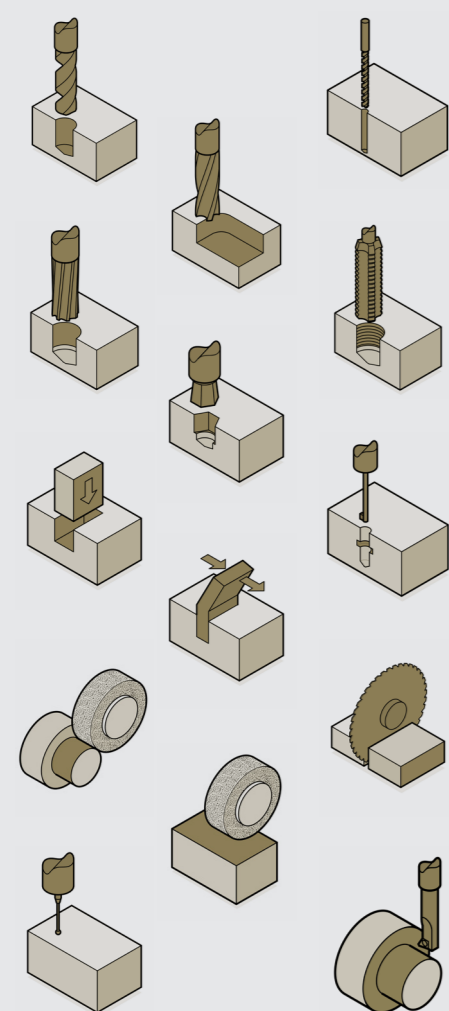


## YOUR APPLICATIONS



## HORIZONTAL AND VERTICAL (UPPER AND LOWER) MACHINING OPERATIONS



Configured for your specific needs such as: productivity, precision, stiffness, reconfigurability, size, cost, power... Freely combine the platform elements according to the Mikron MultiX rules and set up your machining solution.

## MACHINE BASIS



## TRANSFER TABLES

6 - up to 16 stations for different machine basis with optimized mass to reduce the transfer time.

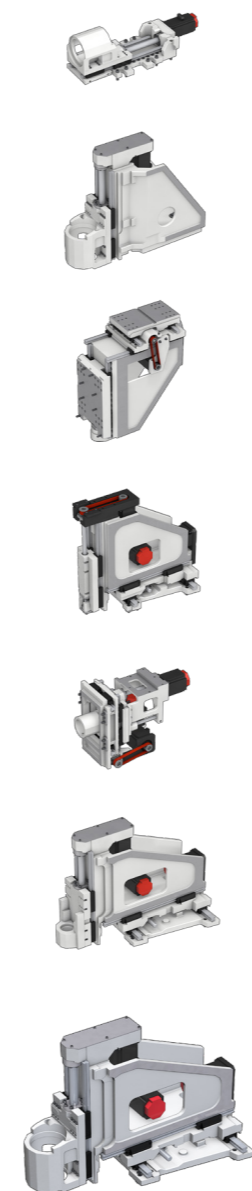


Unique: Table with horizontal and vertical clamping combined

## MACHINING UNITS

A set of diverse machining units in different sizes to serve all your requirements.

All standard machining-units are exchangeable they fit for any configuration you need.



## FIXTURES

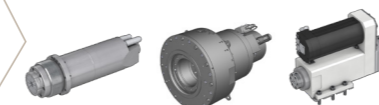
A full set of workpiece clamping and positioning systems for all requirements

- » 3-axis and 4-axis operations with vertical or horizontal clamping axis
- » 5-axis operations (swiveling axes)\*.

### Fix fixtures



### Rotating and indexing fixtures



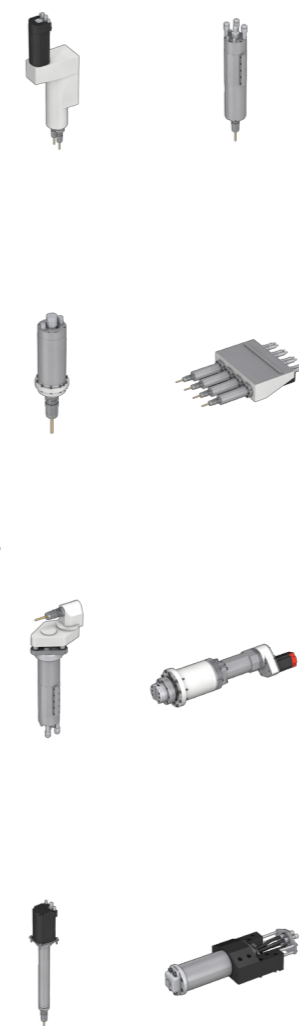
### BC- axis



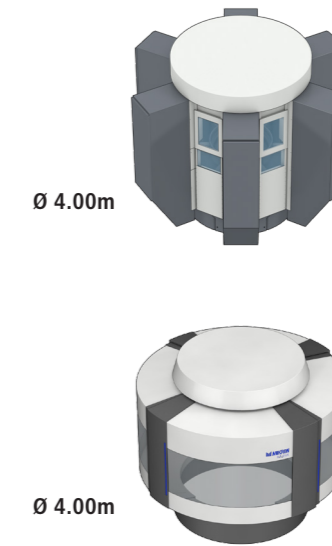
Unique: with very fast exchangeable clamping interface in workpiece-axis

## SPINDLES

Diverse Spindle types like motorspindles, high-power electros spindles, doublespindles, U-axis.



## ENCLOSURES



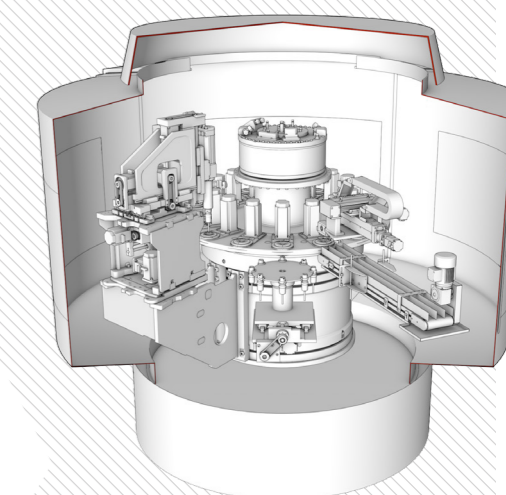
## LOADING / UNLOADING



Standard: 3-axis pick and place

Up to 6-axis robot

## YOUR DEDICATED MACHINING SOLUTION



On request, easy reconfiguration  
Remove the unit support box (with machining units) and reposition with highest repeatability due to a zero point clamping system (patented concept).