



TRAY HANDLER™
A flexible platform to fit diverse market needs



THE MIKRON TRAY HANDLER™ – HIGH-PERFORMANCE AND MODULAR PLATFORM FOR MIKRON'S SOLUTIONS

Mikron supplies a highly standard tray handler capable of dealing with a range of applications from single tray to multiple stacks, for tray sizes from 200x300 to 400x600 mm. It's designed for parts that are susceptible to damage or contami-

nation if fed using other methods such as bowl feeders. The standard building blocks concept allows easy integration of additional in-tray process such as lid handling, inkjet printing, quality inspection.

YOUR BENEFITS

Flexible tray handling

- Tray size from 200x300mm to 400x600mm
- Tray quality from single tray handling to multi stack of tray
- Loading / unloading of trays
- Trolley feeding
- Tray rotation for compact stacking of empty trays
- Fully standalone

Additional in-tray processes

- Lid handling
- Inkjet printing
- Quality inspection

Short delivery time

- Fully standard
- Available from stock

Part handling

- Rotation
- Pitch adjustment

Adaptation to environmental constraints

- Pharma for clean room ISO 7 (class 10'000)
- Electronic signature CFR 21 part 11



Mikron Tray Handler

TECHNICAL SPECIFICATIONS

Flexible tray handling system

Integration	Linked to assembly machine via transfer conveyor or direct loading to pallets on main conveyor
Tray sizes	200x300mm and 400x600mm
Speed	One up 40 cycles/min
Dimensions	Width x Depth x Height (mm)
Loading	Ergonomic load height (mm)
Autonomy	Number of stacks in/out
Tray exchange time	2.5 sec
Control System	Industrial PC, real time software
Handling system	Embedded 4-axis Cartesian Robot
Accuracy	Millimeters
Cleanroom	Compatible for cleanroom ISO 7 (class 10,000)
Validation	Validated base machine according to GAMP 5

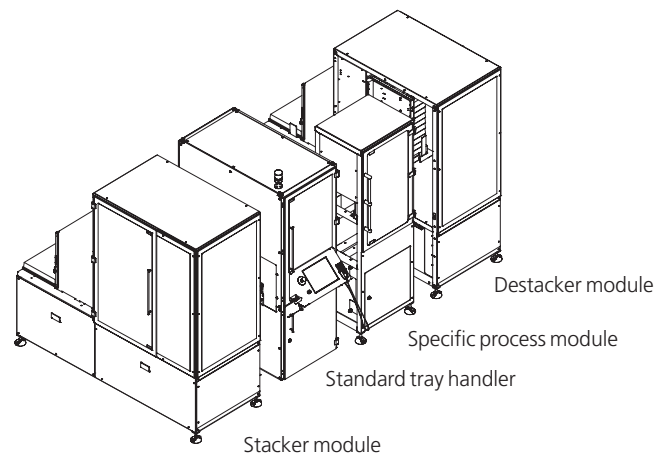
STANDARD PLATFORMS

	SINGLE STACK	MULTI STACK
Integration	✓	✓
Tray sizes	✓	✓
Speed	✓	✓
Dimensions	1700 x 2424 x 2300	2500 x 2424 x 2300
Loading	1100	800-1100
Autonomy	1/1	3/3
Tray exchange time	✓	✓
Control System	✓	✓
Handling system	✓	✓
Accuracy	+/- 0.05	+/- 0.05
Cleanroom	✓	✓
Validation	✓	✓

THE MIKRON TRAY HANDLER WAS DESIGNED WITH A MODULAR CONCEPT TO MEET THE VARIOUS DEMANDS REQUIRED INTODAYS AUTOMATION MARKET

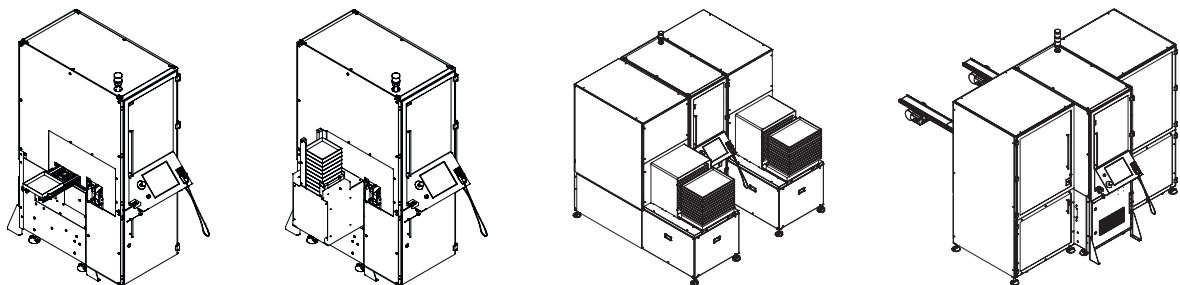
MODULAR INTEGRATION

The modular concept allows flexibility by adding different types of entrance or exit modules when specific processes are required



POSSIBLE CONFIGURATIONS

Mikron supplies a highly standard tray handler capable of dealing with a range of applications from single tray to multi stack and designed for parts that are susceptible to damage or contamination if fed using other methods such as bowl feeders.



5 REASONS TO WORK WITH MIKRON

1. Proven know-how – over 100 years of experience with precision machinery – close to 40 years in assembly
2. Reliable and technical production solutions with high added value – mastery of complex processes, standard and proven automation platforms
3. Short delivery time – quicker time to market
4. Mikron worldwide organization is committed to your project success – from project fulfillment to 24/7 customer service
5. Long-term partnership – industry references

ABOUT US

To date, Mikron Automation has installed more than 4,000 assembly and testing systems worldwide. Its international customers operate in the following markets: pharmaceutical, medtech, automotive, electrical/electronics, consumer goods and construction/building. Mikron Automation currently employs around 800 people and is headquartered in Boudry (Neuchâtel), a region that is regarded as the heart of the Swiss watchmaking industry. It also has sites in Denver (USA), Singapore, Shanghai (China) and Kaunas (Lithuania).

Mikron Switzerland AG, Boudry
Division Automation
Route du Vignoble 17
2017 Boudry
Switzerland

Tel. +41 32 843 11 11
mbo@mikron.com

Mikron Corp. Denver
8100 S Potomac St.
Englewood CO 80112
USA

Tel. +1 30 33 64 52 22
mde@mikron.com

UAB Mikron Kaunas
Taikos pr. 114L
51142 Kaunas
Lithuania

Phone +370 37 395545
mka@mikron.com

Mikron Singapore Pte Ltd
61 Tai Seng Ave, #05-11
Singapore 534167

Tel. +65 62 99 15 89
msi@mikron.com

Mikron Industrial
Equipment (Shanghai) Co., Ltd.
No 358, 3rd Factory
Dong Ye, Dong Jing Town,
Song Jiang District
Shanghai China 201619
Tel. +86 21 67 67 96 81
msh@mikron.com

www.mikron.com/automation